



GROOVE DC

Installation Manual



CEILING FAN INSTRUCTION BOOKLET

Thank you for purchasing your Claro Groove DC Ceiling Fan.
Please read all instructions carefully before assembly and use.

IMPORTANT SAFEGUARDS:

Read all instructions carefully, even if you feel you are quite familiar with this type of appliance. When using electrical appliances, in order to reduce the risk of fire, electric shock, and/or injury, these basic safety precautions should always be followed:

1. All wiring must be done by a licenced electrician as on-site warranty may be voided if proof cannot be provided. This ceiling fan **MUST** be installed by a Qualified Electrical Contractor in accordance with the local regulations, and all local, state and national electrical codes. Any alterations or additions to building wiring must be completed by a licensed electrical contractor, or person authorised by legislation to work on the fixed wiring of any electrical installation.
2. The fan must be connected to a 230V AC 50Hz power supply.
3. All electrical work must only be undertaken after disconnection of the power by removing fuses or turning off the circuit breaker, to ensure all pole isolation of the electrical supply.
4. The fan must be earthed.
5. The fan must be installed so that the blades are at least 2.1 metres above the floor.
6. The ceiling fan weight is max. 4.15kg. The structure that the ceiling fan is mounted to must be solid (e.g., concrete ceiling, steel structure or timber frame) capable of supporting a weight of at least 45kg and **MUST** be nailed between beams if the timber option is required. This is to ensure the fixing must be able to support the moving weight of the fan and must not twist or work loose.
7. Make sure that the installation site will not allow the rotating fan blades to come into contact with any object and that there is enough space from the blade tip to the wall or ceiling. Please note that insufficient clearance distances might cause wobbling and the bigger this clearance is the better the airflow from your fan will be.
8. This product can be installed in a position where it is covered and enclosed (including alfresco areas) by 3 walls and there is a minimum clearance of 1.5 from the blade tip to all edges of the roof or positions which could be exposed to water, moisture or other dangerous external elements.
9. **DO NOT** connect the fan motor to a dimmer switch. This may give an unsatisfactory performance (motor hum) and cause damage to the motor and/or controller. Use **ONLY** the provided remote control.
10. This appliance is not intended for use by young children or infirm persons without supervision. Young children should be supervised to ensure that they **DO NOT** play with the appliance.
11. It is **NOT** recommended that ceiling fans and gas appliances be operated in the same room at the same time.
12. The fan must be turned off and stopped completely before reversing the fan direction. This will prevent any damage to the motor of the fan or controller.
13. Do not insert anything into the fan blades whilst they are spinning. This will damage the blades and upset the balance of the fan causing the unit to wobble.
14. After the fan is completely installed make sure that all base and fan blade fixings are secured and tightened to prevent any problems.
15. Because of the fan's natural movement, some connections may loosen. Check the support connections, brackets and blade attachments twice a year to make sure they remain secured. If any are loose, tighten.
16. If unusual oscillating movement is observed, immediately stop using the ceiling fan and contact the manufacturer, its service agent or suitably qualified persons.

17. The replacement of parts of the safety suspension system device shall be performed by the manufacturer, its service agent or suitably qualified persons.
18. If it is necessary to replace the live or neutral brushes to ensure operation of the motor then both brushes and the earth brush shall be replaced at the same time. The brushes shall only be replaced by a suitably qualified person.
19. An all-pole disconnection incorporated in the fixed wiring is to be provided, such as an all-pole switch or a supply cord fitted with a plug.
20. The remote/receiver included is intended to be used with this fan and associated light component ONLY and is not compatible with any other lighting and/or any other electrical device. Use of it in any way other than intended may result in damage to the fan, receiver and/or other devices and as such, will void warranty.
21. The LED light (for models with Light) panel in light kit is user replaceable as it connects with 'Push Plug' wiring. **It is user replaceable ONLY with Claro certified replacement LED panels.** Using unauthorised parts may damage the fan, cause undesired results, or be a safety hazard.
22. The max operating temperature for the fan is 40°C. Keep the fan away from any heat sources, like fire place, heater and stove.
23. Reasonable 'wear and tear' is not covered under warranty. For comprehensive warranty terms & conditions visit clarofans.com.au

IMPORTANT NOTE:

The important safeguards and instructions given in this manual are not meant to cover all possible conditions and situations that may occur. It must be understood that common sense, caution and care are factors which cannot be built into any product.

CAUTION:

- **DO NOT** ingest battery - Chemical burn hazard
- The remote supplied with this product contains 2xAAA battery. If the battery is swallowed, it can cause severe internal burns in just 2 hours and can lead to death
- Keep the new and used batteries away from children. Examine devices regularly, and ensure the battery compartment is secure
 - If the battery compartment does not close securely, stop using the product and keep it away from children
- If you think the batteries might have been swallowed or placed inside any part of the body, seek immediate medical attention
 - Call the Poisons Information Centre on **13 11 26** or go to a hospital emergency room
 - **DO NOT** let the child eat or drink or induce vomiting. Dispose of used button batteries immediately
- The batteries supplied with this product is not to be recharged
- Different types or new and used batteries are not to be mixed
- Battery to be inserted with the correct polarity; '+' for positive, '-' for negative
- Exhausted batteries are to be removed from the appliance and safely disposed of
- If the appliance is to be stored unused for a long period, the batteries should be removed
- Dispose of used button batteries immediately
- Flat batteries can still be dangerous
- The supply terminals are not to be short-circuited

FAULT FINDER:

Always check the “Trouble Shooting Checklist” included in this manual before seeking a warranty claim.

A mechanical noise may be noticed on installation. Allow at least 8 hours settling-in period. Some fans may wobble more than others, even if they are identical. This does not necessarily indicate a fault.

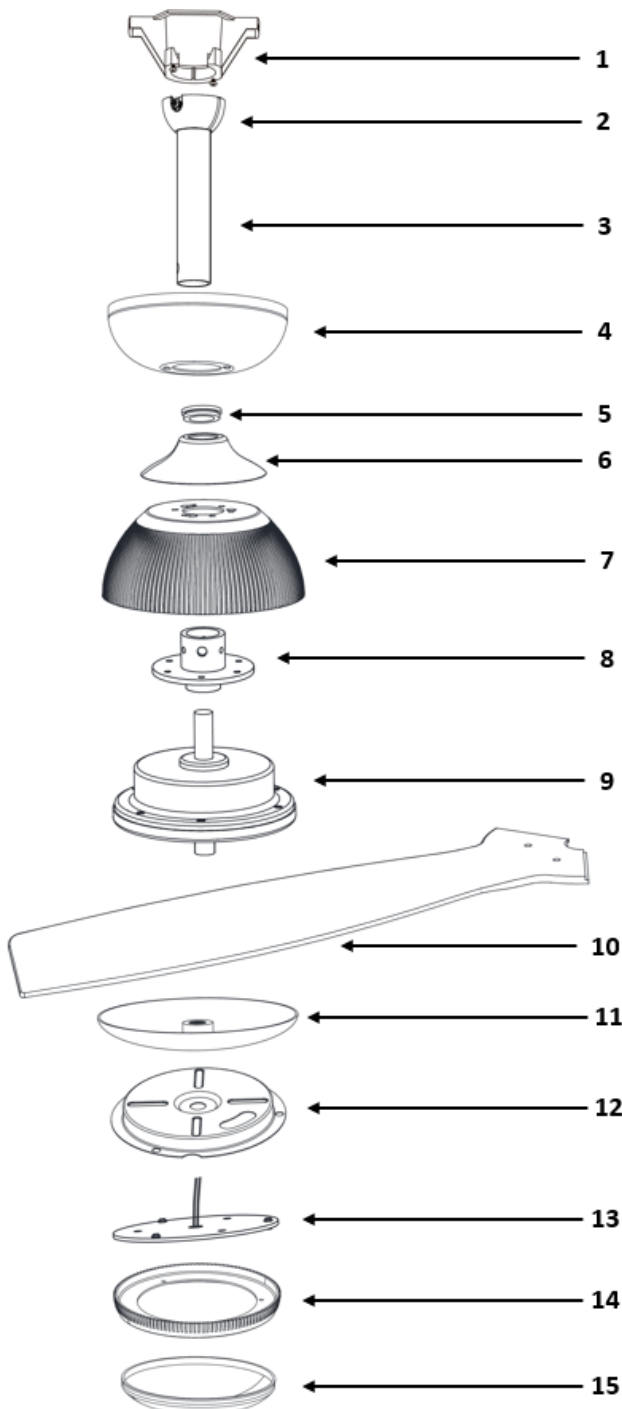
PREPARATION:

1. Unpack your ceiling fan carefully, then remove all parts and components, and lay on a cloth or soft surface to avoid damage.

DO NOT lay the motor housing on its side as the housing may get damaged.

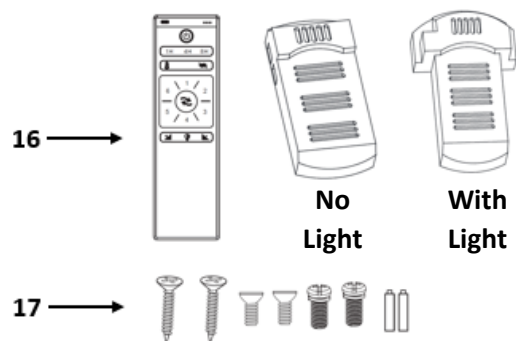
2. Before commencing installation, check that all parts are included.

NOTE: You may need to remove all foam packaging material to ensure there are no missing parts.



List of Components

1. Hanging Bracket
2. Ball Joint
3. Downrod
4. Canopy
5. Rubber Washer
6. Coupler Cover
7. Motor Housing
8. Downrod Holder
9. Motor
10. Blade (x3)
11. Base Plate (*No Light Versions*)
12. Light Kit Plate (*With Light Versions*)
13. LED Light Panel (*With Light Versions*)
14. Light Kit Ring (*With Light Versions*)
15. Light Diffuser (*With Light Versions*)
16. Remote & Receiver Pack
17. Screw & Battery Pack



INSTALLATION AND ASSEMBLY:

CAUTION! Before installing the fan make sure you have turned **OFF** the electricity supply.

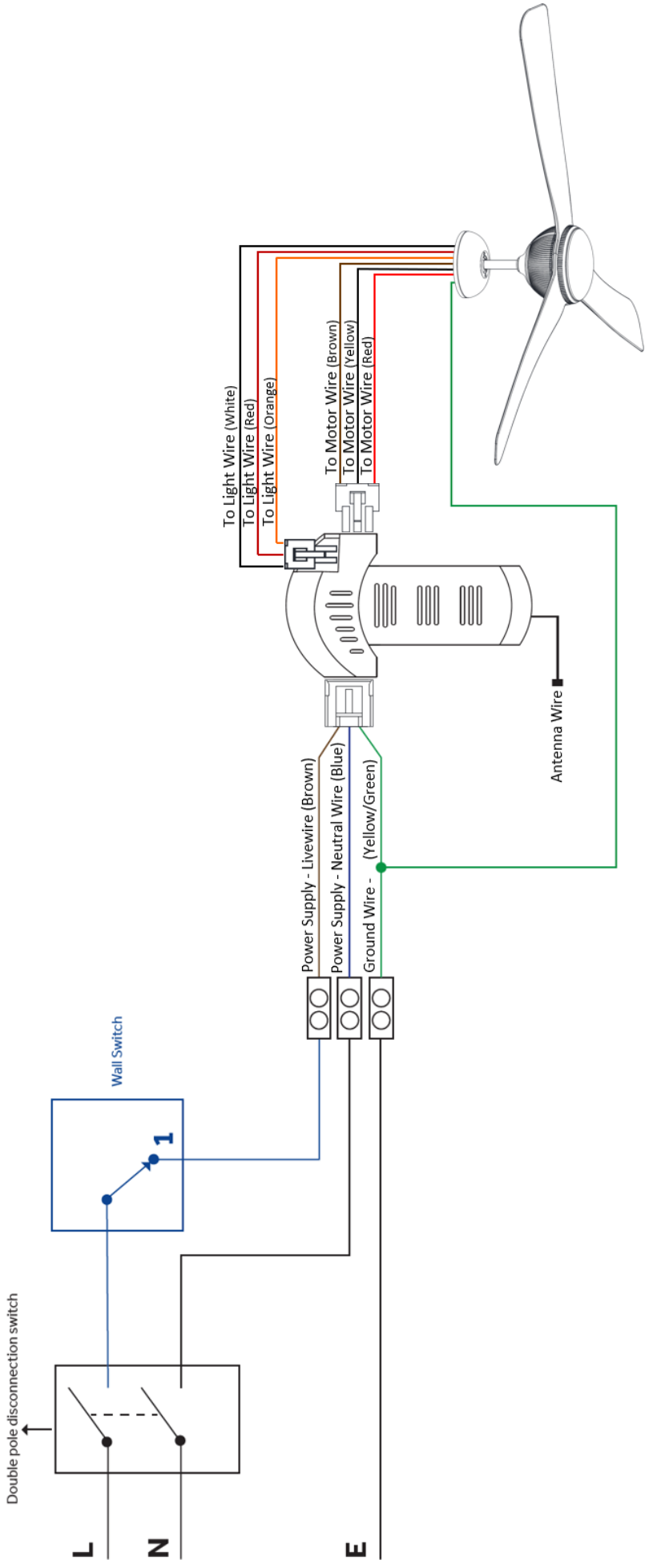
SELECTING A LOCATION:

1. Choose a location for mounting the fan where the blades will have at least 2.1 metres of clearance from the floor.
2. Make sure that the installation site will not allow the rotating fan blades to come into contact with any object and that there is enough space from the blade tip to the wall or ceiling. Please note that insufficient clearance distances might cause wobbling and the bigger this clearance is the better the airflow from your fan will be.
3. If the location you have chosen does not have a suitable support beam capable of supporting 45kg, install a brace 2" x 4" between the ceiling joists as a support medium.
4. Secure the hanging bracket to the ceiling joist or suitable structure that is capable of carrying a load of at least 45kg, with the two long fixing screws provided. Ensure that at least 30mm of the screw is threaded into the support. Where there is a rake, the orientation of the hanging bracket must be considered depending on appropriate positioning relative to the degree of rake to ensure optimal performance and installation suitability.

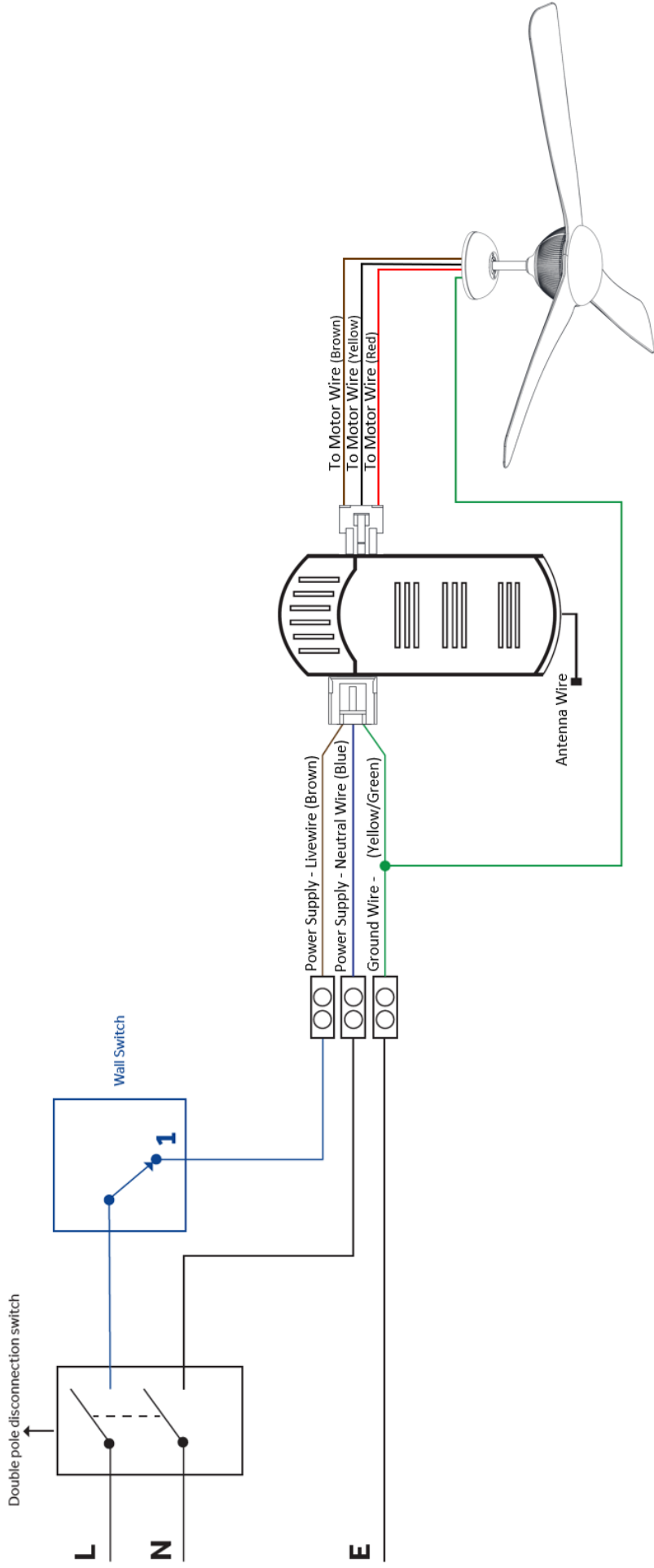
NOTE: The fixing screws included are designed for use when ceiling fan is secured onto timber joists. For all other surfaces, additional and suitable fixing screws for that surface will need to be purchased.

5. This product can be installed in a position where it is covered or enclosed alfresco areas and there is a minimum clearance of 1.50 m from the blade tip to all edges of the roof or positions where could be exposed to water, moisture or other dangerous external elements.
6. Wear and tear, including exposure from the elements, is not covered under warranty.
7. This product is not suitable for coastal use.

WIRING DIAGRAM WITH LIGHT MODEL



WITHOUT LIGHT MODEL



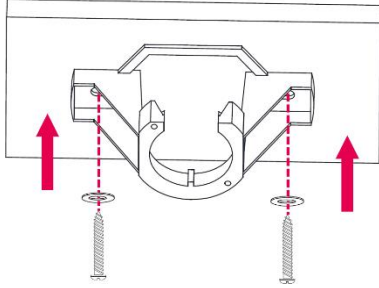
ELECTRICAL CONNECTIONS:

Ensure the power is **OFF** when installing this fan.

INSTALLATION STEPS:

1. Secure the hanging bracket to the ceiling joist or suitable structure that is capable of carrying a load of at least 45kg.

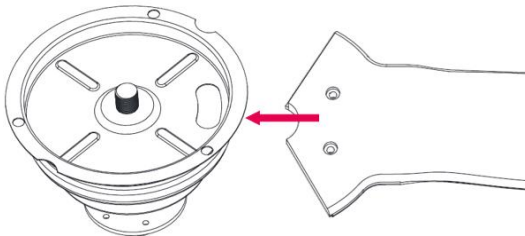
CAUTION: Ensure building cable is able enter the canopy close to terminal block.



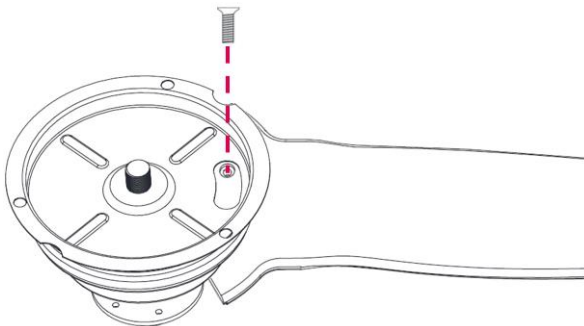
2. Attach the blades to the motor

WITH LIGHT

- a. Insert a blade into the motor

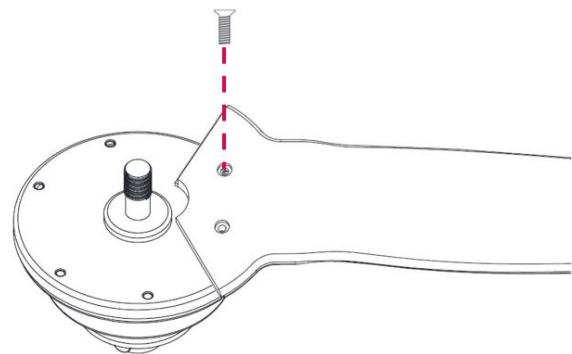
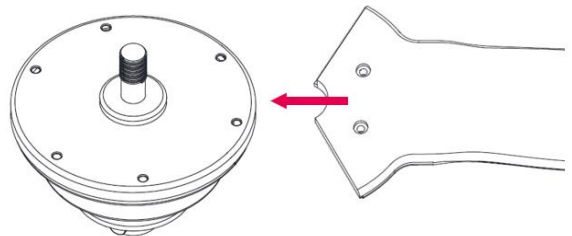


- b. Align the screw hole with the access point and affix the blade to the motor with a blade screw.

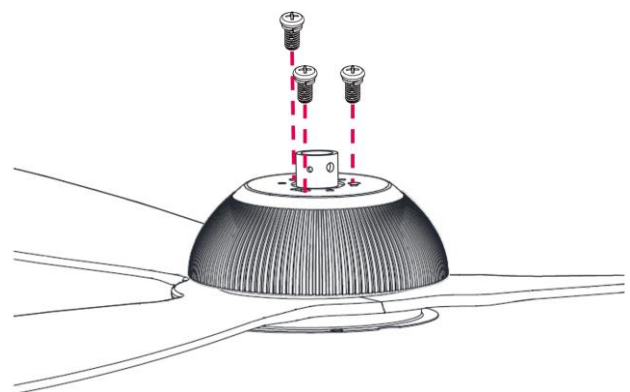
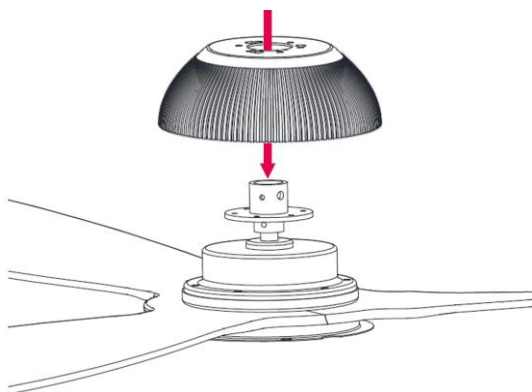


NO LIGHT

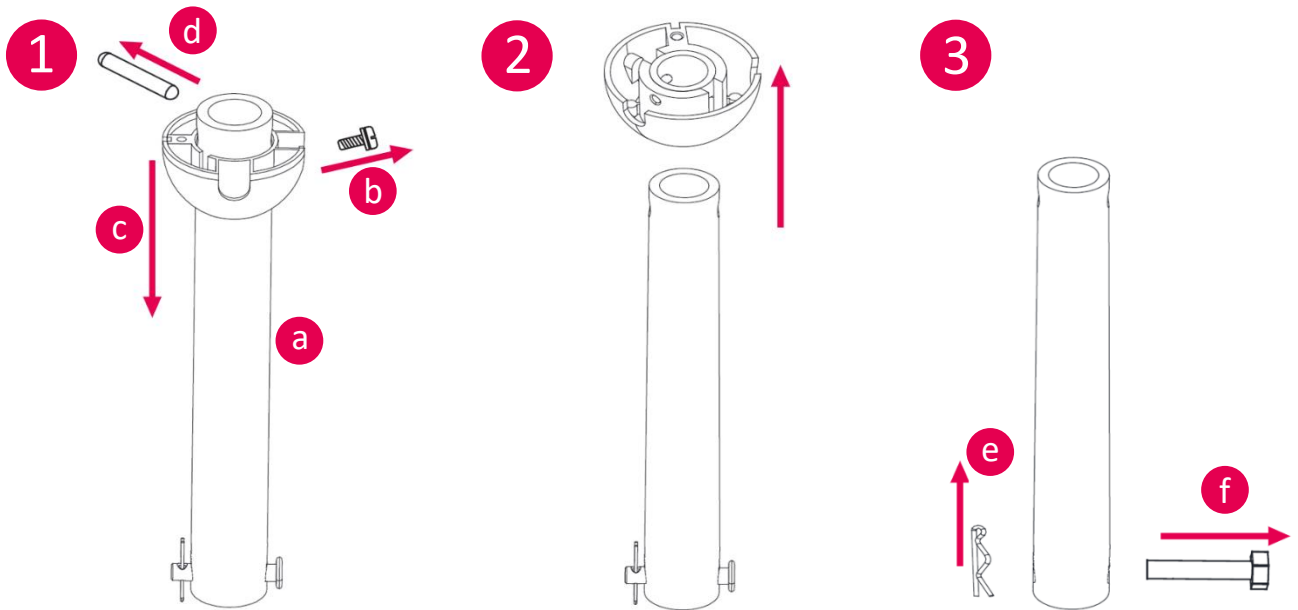
- a. Align the screw hole and affix the blade to the motor with a blade screw.



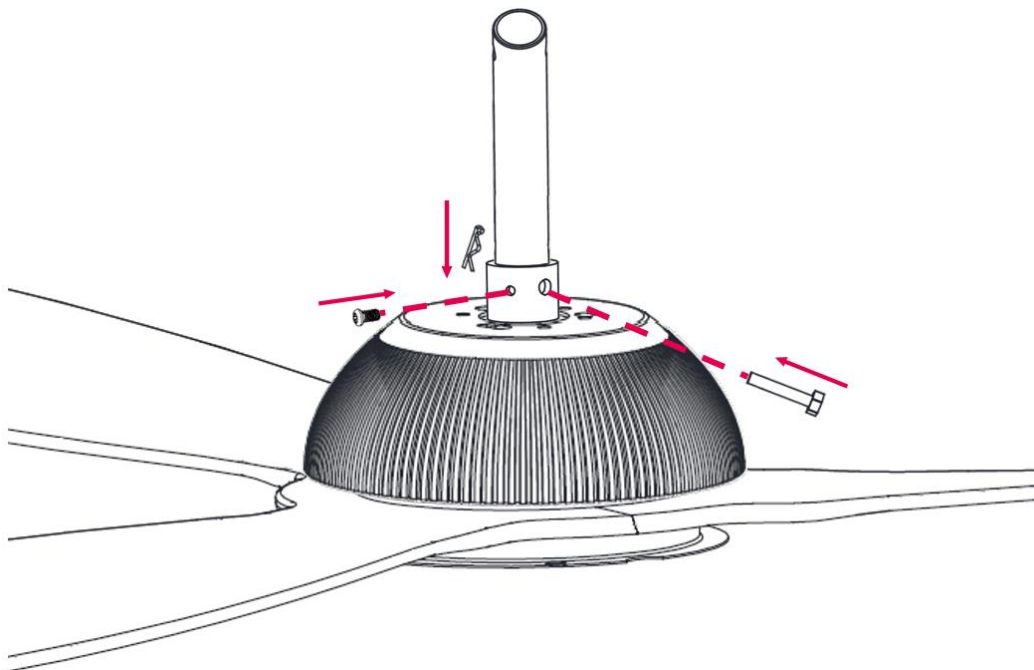
3. Turning the blade slightly, align the second screw hole with the access point and affix the blade to the motor with a blade screw.
4. Repeat for the remaining two (2) blades until all three (3) blades are affixed to the motor.
5. Put the motor housing through the coupler and secure with three (3) screws.



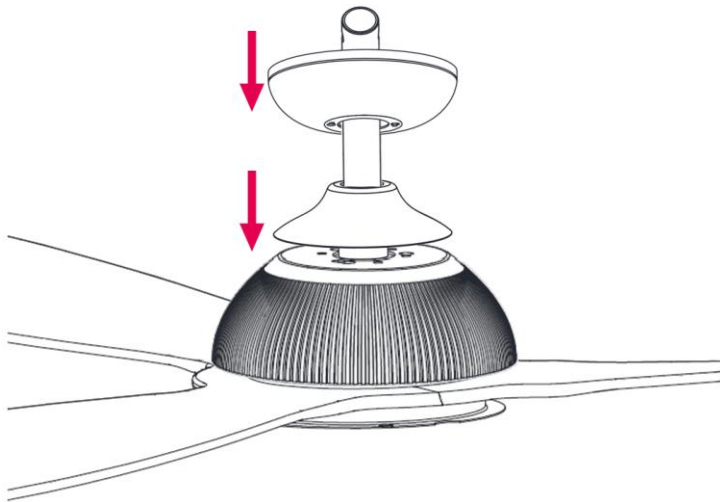
6. From one end of the downrod (A), unscrew the holding screw (B), slide the ball down (C) and remove the ball-pin (D).
7. Slide the ball joint off from the downrod.
8. From the other end of the downrod, remove the cotter-pin (E) and slide out the cross-pin (F).
9. Put aside all pieces in a safe place, for reassembly later.



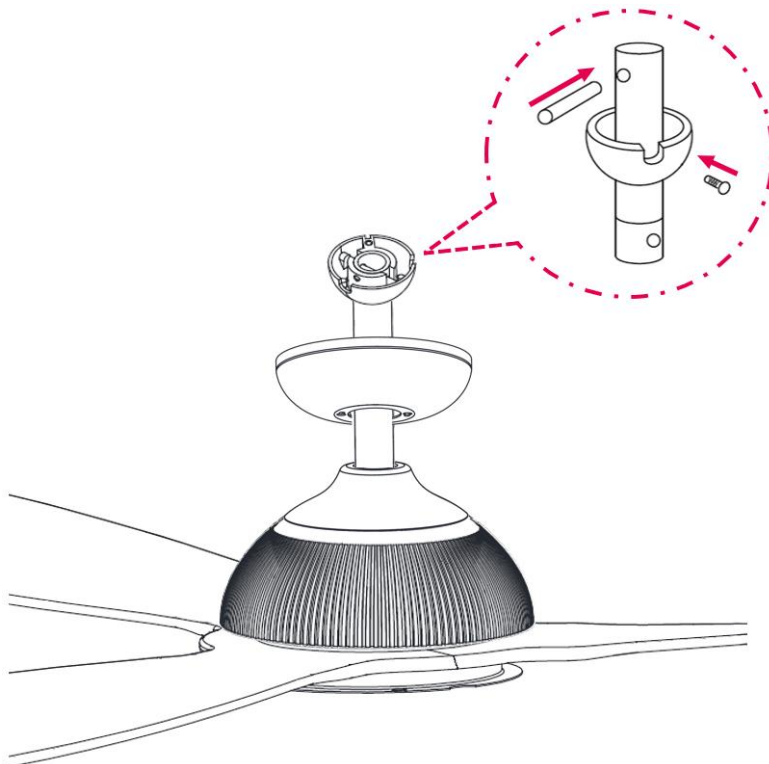
10. Feed the main motor wire plug up through the inside of the downrod, then insert the downrod into the motor bush.
11. Align the holes on downrods to the holes on motor extension downrod.
12. Gently push the cross pin through the hole.
CAUTION: DO NOT force the cross-pin, gently wiggle and rotate it until it glides through both holes.
13. Secure with cotter-pin.



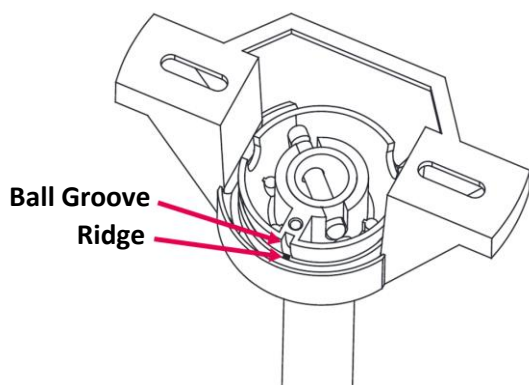
14. Slide the Coupling Cover and Canopy through the downrod.



15. Place the hanging ball on top of the down rod and secure it with the ball pin and screw.



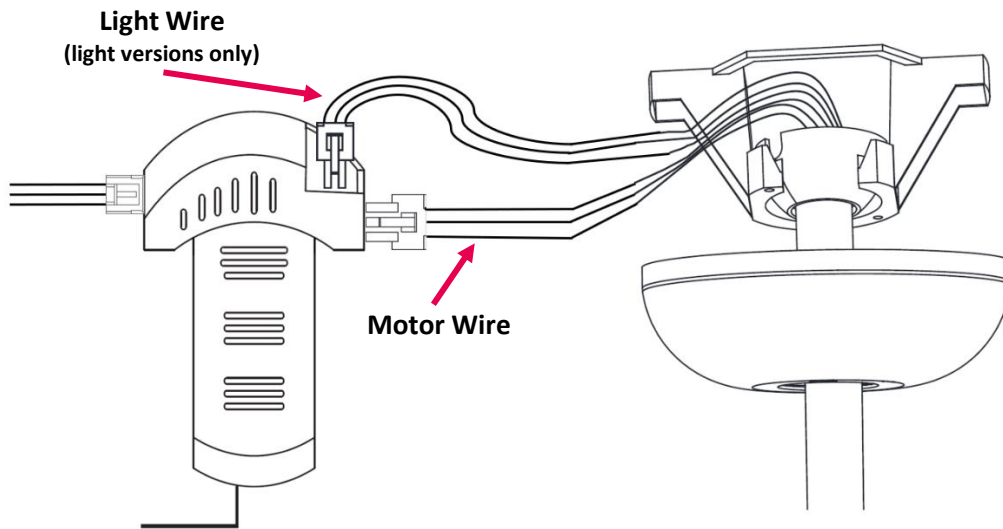
16. Hang the fan into hanging bracket. Align ball groove on hanging ball with ridge on hanging bracket. Ensure hanging ball sitting into hanging bracket correctly. If fan doesn't sit properly, hold the downrod and twist it until fan has been secured into hanging bracket.



17. Place receiver in the hanging bracket and follow the wire diagram to connect wires and connectors. Connect power, receiver and the fan as per electrical wiring diagram.

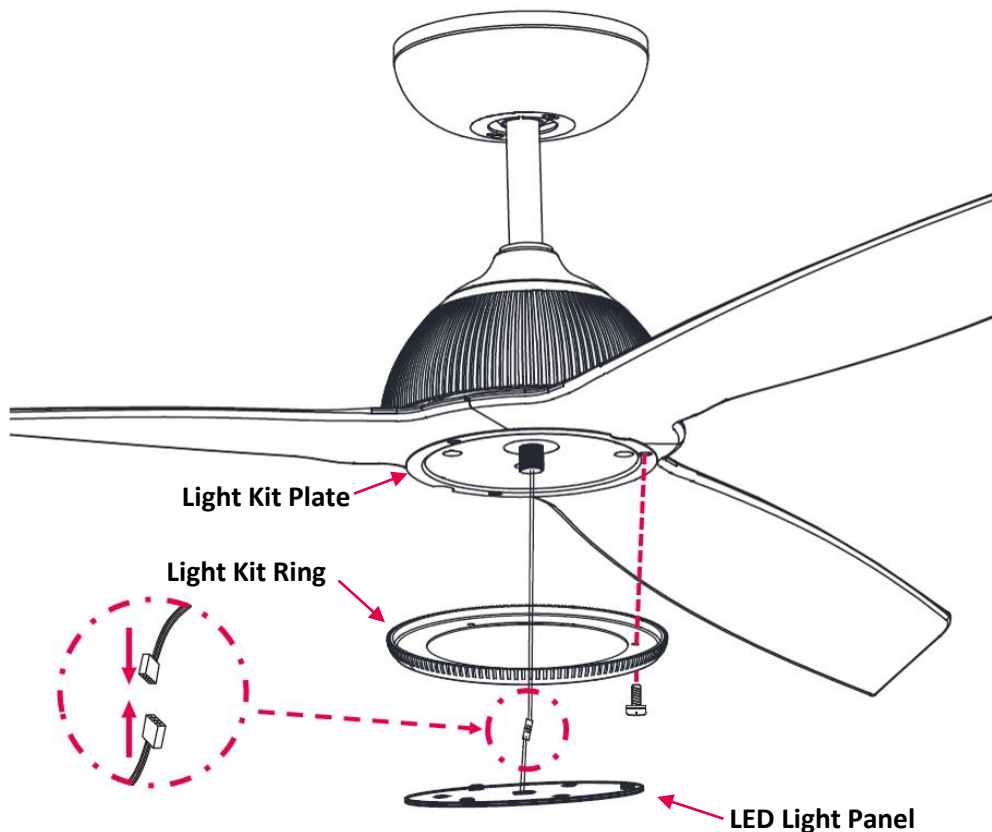
CAUTION: Do not to press the antenna of receiver when installing. Damage to antenna may lead to poor communication between receiver and remote or a short circuit.

IMPORTANT: The fan must be earthed! Double pole disconnection switch and wall switch must be connected.

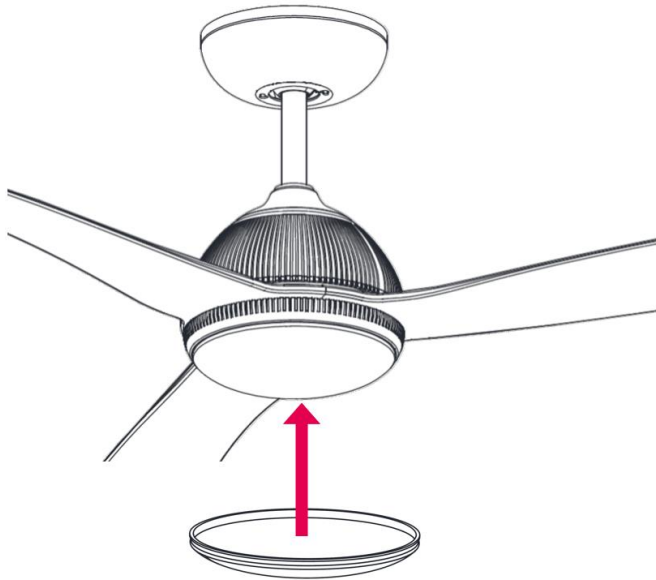


WITH LIGHT MODELS:

- a. Remove the three (3) screws from the Light Kit Plate (attached to the bottom of the motor).
- b. Put the LED Light Panel on the bottom of the Light Kit Ring and connect the Push Plug wire of the LED Light Panel to the Push Plug wire from the motor.
- c. Align the holes with the LED Panel, Light Kit Ring and Light Kit Plate. Secure with the three (3) screws (removed earlier from the Light Kit Plate)

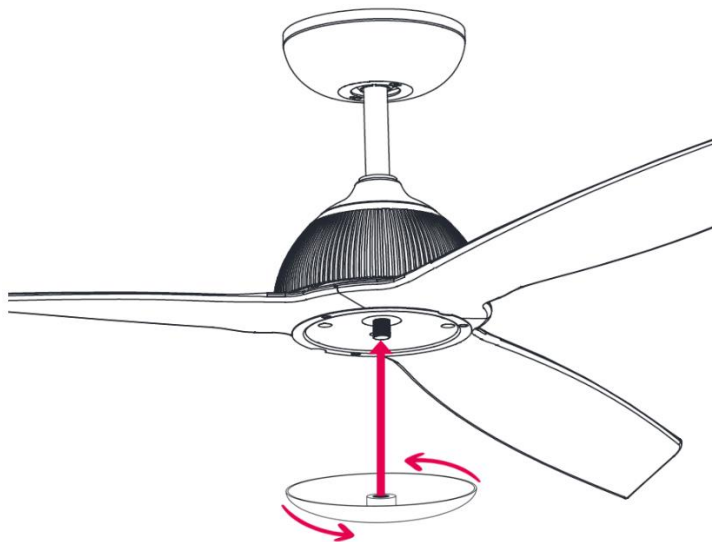


d. Align the Diffuser with the Light Kit Ring and clip it into place.



NO LIGHT MODELS:

- a. Align the Base Plate to the central shaft of the motor.
- b. Rotate clockwise to lock into position



REVERSE FUNCTION:

The “Summer/Winter” reverse function is included in the remote control to make the fan rotate in an anti-clockwise direction during summer.

In winter, this can be reversed, so that the blades now move in a clockwise direction.

CARE & CLEANING:

- Periodic cleaning (approximately 6 months) of your ceiling fan is the only maintenance required.
- Use a soft brush or lint free cloth to avoid scratching the finish. Please turn off electricity when you do so.
- Do not use water when cleaning your ceiling fan. It could damage the motor or the wooden blades and create the possibility of an electrical shock.
- The motor has a permanently lubricated ball bearing and as such, is maintenance free.

NOISE:

The manufacturer warranty covers actual faults that may develop, but NOT minor complaints, e.g. motor operation noise - **ALL ELECTRIC MOTORS ARE AUDIBLE TO SOME EXTENT**; this is more obvious when the fan is operating at low speeds.

WOBBLE:

- Ceiling fans are designed to move during operation because they are not generally rigidly mounted
- Movement of a couple of centimetres is acceptable for safe operation.
- Balancing kits included should be used to adjust the balancing when first installed.

NORMAL WEAR AND TEAR:

Threaded components working slightly loose or blade carriers even slightly bent due to vigorous cleaning or bumping can cause extra wobble and noise. **THIS IS NOT COVERED UNDER WARRANTY**, however, a little care and maintenance can reduce or prevent this problem.

REMOTE CONTROL SETTINGS AND OPERATION FOR DC FANS:

The Hand-Held Remote-Control System is equipped with a learning frequency function which has code combinations to prevent potential interference from other remote units. The frequency on your Receiver and Transmitter units have been pre-set at the factory. If the remotes need programming, please follow the below instructions.

PAIRING THE REMOTE:

1. Using the wall (isolation) switch, turn the fan power ON.
2. Within 5 seconds after turning on the power, press and hold “FAN OFF” (middle button on the top of the remote) on the remote for 5 to 10 seconds until you hear a beep, indicating that the fan is paired successfully.
3. Test the remote by pressing on speeds or light button.
4. It can take up to 10 seconds for the fan to start moving, after pressing a speed button. The fan may move a few times slightly backwards and forwards and then will start rotating slowly whilst building up to the correct speed. This is normal behaviour for DC fans.

TO MUTE OR UNMUTE THE BEEP ON THE FAN:

1. Turn Isolation Switch OFF for 10 seconds.
2. Turn the Isolation Switch ON, and within 20 seconds, press and hold the ‘1H’ button for 5 seconds.
3. When you hear the beep:
 - If the beep was muted, it will now be unmuted.
 - If the beep was unmuted, it will now be muted.

THINGS TO NOTE:

- If the receiver is not receiving a signal from the remote control:
 - a. Please check the battery to ensure it has sufficient power and has been inserted correctly and aligns with the positive and negative terminals; or
 - b. Please check if there are any other similarly remote-controlled objects that work nearby, as remote-controlled items operating on the same frequency may disturb each other.
- If the battery is low, it will affect the sensitivity of the remote control and the signal reception and must be replaced.
- Please remove the battery if the remote control is not being used for a long time.
- If multiple fans are installed near the fan need to be paired, power to the other fans should be turned off before pairing using the wall (isolation) switch.

INSTALLING MULTIPLE FANS:

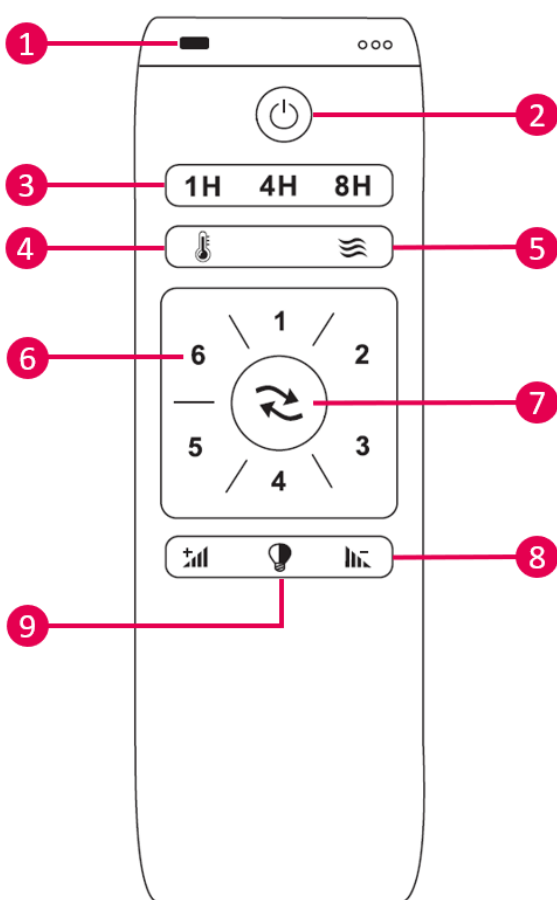
Sometimes you may encounter a remote-control issue when installing multiple fans.

For the purposes of this troubleshooting guide, Fan A uses Remote control A and Receiver A, while Fan B uses Remote control B and Receiver B.

Isolate power to one fan only when pairing the remotes using the wall (isolation) switch.

When installing two or more fans, you should manually isolate power to Fan B while completing the pairing process on Fan A. If power is not isolated to one of the fans, when the power is restored at the fuse box, then both receivers will be put into “learning mode” such that when you try to pair Remote control A to Receiver A, Receiver B will also be in learning mode and might pair to Remote control A too.

FUNCTIONS OF THE REMOTE CONTROL



- 1 LED Indicator Light
- 2 OFF - Fan Operation
- 3 Timer OFF - 1H | 4H | 8H
- 4 CCT (Colour Changing Technology)
- 5 Natural Wind Mode
- 6 ON - Fan Operation: Speed 1 - 6
- 7 Forward/Reverse
- 8 Light Dimmer Up/Down
- 9 Light ON/OFF

CCT (Colour Changing Technology)

To switch between Warm/Natural/Cool Light.

Natural Wind Mode

Cycles between speeds 1,2, 3, 4, 5 & 6 to simulate natural air movement.

TROUBLESHOOTING:

Issue	Possible Cause	Suggested Remedy
Fan does not start after the pairing process	Remote and receiver are not paired successfully	Re-pair the receiver and remote
	Battery flat in remote control	Replace the battery in remote control
	Loose wire connections or plugs to fan/receiver	Check wire connections and ensure plugs are positively connected
	No power goes into the fan	Check RCD/Switch board and wiring on premises
Fan keeps beeping, but will not start	Loose wire connections or plugs to fan/receiver	Check wire connections and ensure plugs are positively connected
Fan wobbles	Screws on down rod are not tightened	Retighten the screws on down rod
	Blades are not balanced	Use the balancing kit to balance the blades.
Fan makes a clicking sound	Coupling cover does not sit securely on motor housing	Adjust coupling cover and ensure it sits properly on the motor housing
	Rubber ring on coupling cover is removed	Check coupling cover and ensure there's a rubber ring on the top of the cover.

Model Number	Rated Voltage	Motor Consumption	Rated Light Power
C4530/101A	220-240Vac	Max. 45W DC Motor	n/a
C4530/124A	220-240Vac	Max. 45W DC Motor	n/a
C4531/101A	220-240Vac	Max. 45W DC Motor	24W LED
C4531/124A	220-240Vac	Max. 45W DC Motor	24W LED

